

AREAL MOTORIZED DOLLY

ROLLY

Rolly is a compact modular dolly, that allow you moved the camera on any type of wall. It is a perfect solution for balustrade in a theatre or in television studios. The tracks can be straight or curved for your needs.

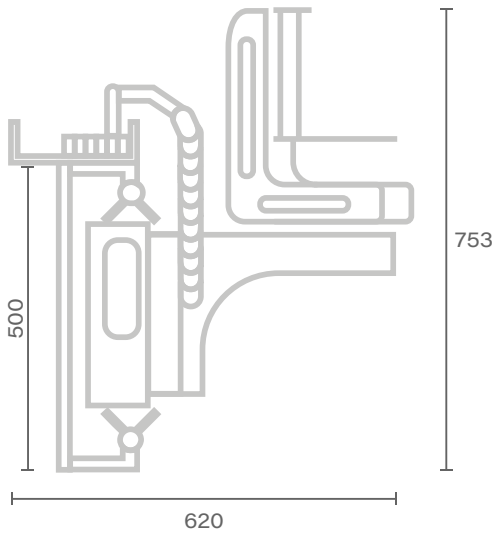
Rolly is quipped w remote head 2 or 3 axes; the latter can mounted above or below. Camera operator can works 1,2 km to the system w cables, and reach 200 m w wireless system.

Rolly can be controlled by Easy Cams Pan/Bar, Console w joystick, Wheels, Bracelet and Pedal Control. Also it can be controlled by a software which memorise its movements and repeat it.

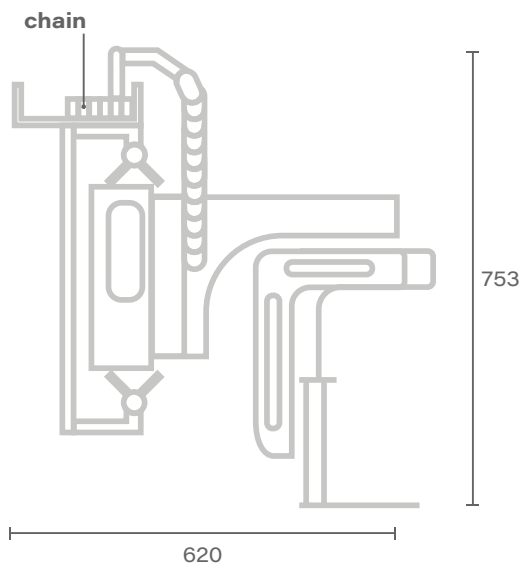
DATASHEET

| | |
|---------------------------------|--|
| Payload Max | 25 kg |
| Max speed | Dolly: 1,7 m/s Pan/Tilt: 280°/s |
| Tracks measures [WxL] | Straight: 50 x 90 / 190 / 290 cm |
| Radius of curves | 3 to 20 m |
| Operator control unit | Pan/Bar Console Joystick Wheels Pedals Bracelet Recall position system [Optional] |
| Power supply | 12-30VDC |
| Max distance wireless Easy Cams | 200 m |
| Safety system | Slowing magnets Braking magnets Mechanical limit w decelerator Emergency stop |

ROLLY



(Fig.1)



(Fig.2)

[fig.1] Rolly w Cams normal mode
[fig.2] Rolly w Cams overturned mode

Unit of measure - millimetres [mm]