

STABILIZED HEADS  
MOVIE PEOPLE  
**STABIL CAMS**

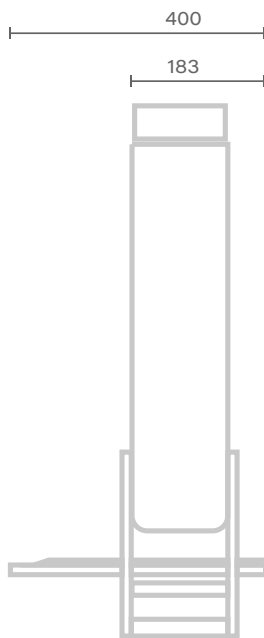
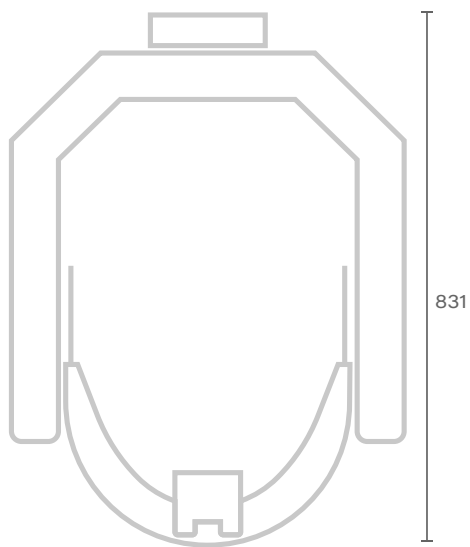
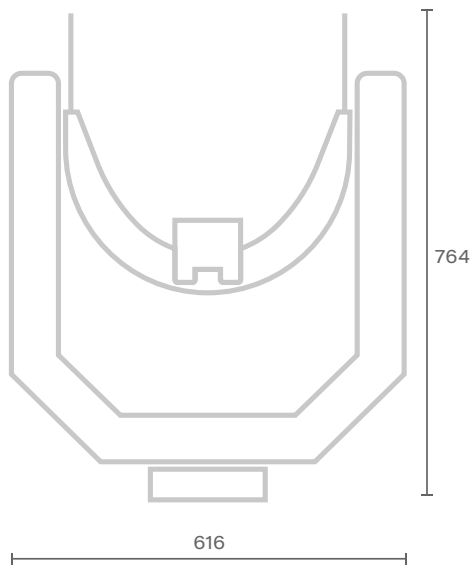


**DATASHEET**

Stabilization	Gyro-stabilized 3 axes
Payload Max	40 kg
Gimbal field of view	Pan/Tilt: 360° Roll: +- 50° Max. Pan speed/Tilt/Roll: 180°/s Auto horizon No head drift
Power supply	24 – 30VDC 15A
Operator control unit	Pan/Bar* Wheels Joystick
Data / Communication	RS-485
Dimension [ HxL ]	92 x 62 cm
Weight	30 kg
Environment	-40 to +40 °

\*Pan / BAR is the only camera control unit that allows a very high resolution of movement, with Stabil Cams is possible to reach 2.000.500 STEPS

# STABIL CAMS



Unit of measure - millimetres [ mm ]