



MOTORIZED DOLLY

## FLOOR LIFT

Floor Lifts a MD [ Modular Digital ] Dolly on tracks, it is equipped with Telescopic Column w extension from 1 to 1,70 m. Moreover it is equipped remote head 2 or 3 axes; the latter can accommodate any type of camera and lens. Like any equipment Cams MD 2 axis, it is completely modular and compatible w all our products.

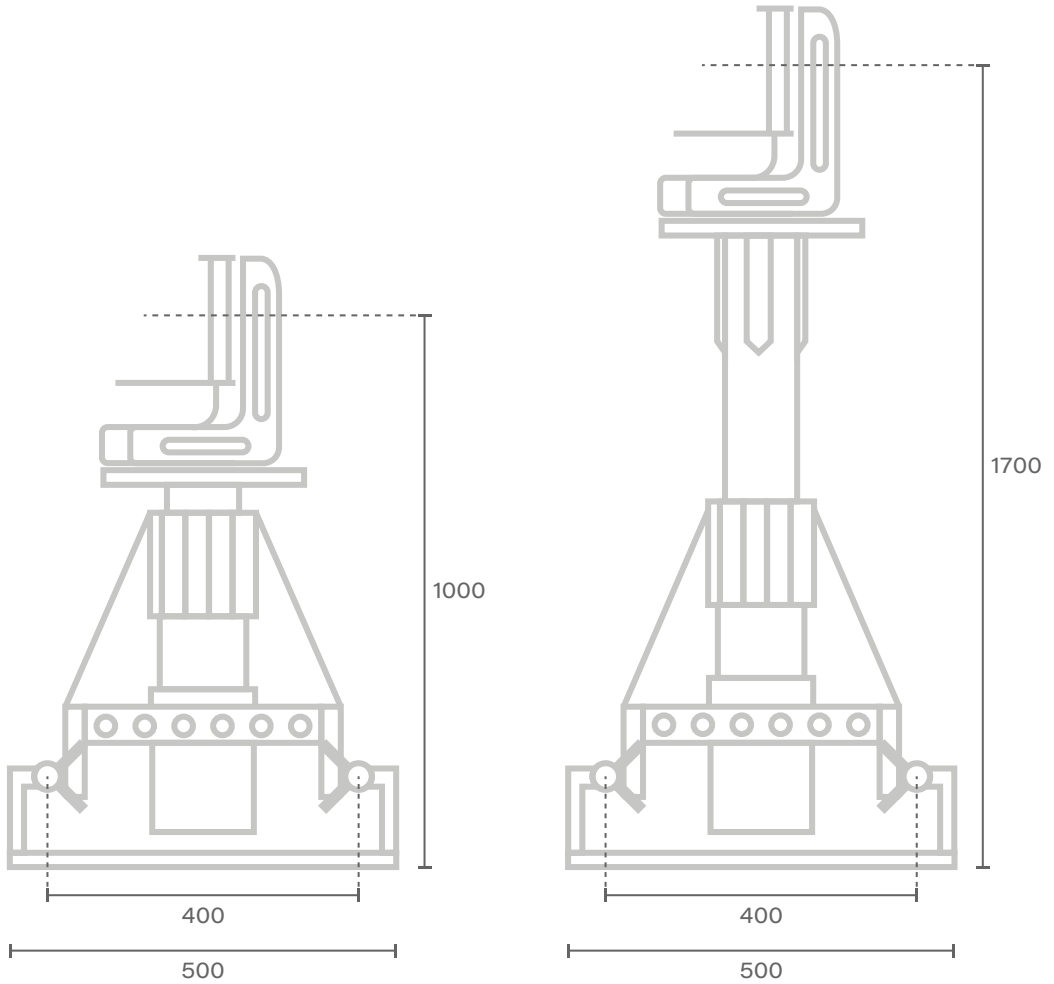
The tracks can be straight or curved, there has radius from 3 to 20 m with 50 cm width. Floor Lift can be controlled by Easy Cams Pan/Bar, console w joystick, wheels and pedal control. Also it can be controlled by a software which memorise its movements and repeat it.

# FLOOR LIFT

## DATASHEET

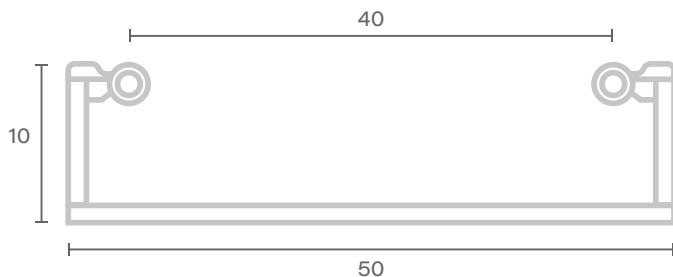
Payload Max	25 kg
Lens height	Mode standard: 100 to 170 cm
Max speed	Dolly: 2,7 m/s Pan/Tilt: 280°/s
Tracks measures [ WxL ]	Straight: 50 x 50 / 90 / 190 / 290 cm
Radius of curves	3 to 20 m Customizable on request
Operator control unit	Pan/Bar Console Joystick Wheels Pedals Recall position system [ Optional ]
Power supply	220/115VAC
Safety system	Slowing magnets Braking magnets Mechanical limit w decelerator Emergency stop

# FLOOR LIFT



Unit of measure - millimetres [ mm ]

# BINARI



STRAIGHT	CURVES		
LENGTH [ CM ]	LENGTH [ CM ]	CURVES [ CM ]	DEGREES
290	248	1900	7.5
100	165	1900	5
50	110	1900	3.3
	280	1600	10
	262	1500	10
	218	1250	10
	209	1200	10
	196	1125	10
	269	1030	15
	90	1030	5
	248	950	15
	222	850	15
	196	750	15
	255	650	22.5
	198	650	17.5
	57	650	5
	235	600	22.5
	260	496	30
	209	400	30
	63	400	9
	170	380	30
	235	300	45
	78	300	15